

# PRODUCT SPECIFICATIONS SHEET

Model: Colt Deluxe (SC710DX)

Document Information: INFINFB2694/Rev D/September 2019

Model Number	SC710DX
Class of Use	B
Weight Capacity	181 kg; 28 stone 8 lbs. (400 lbs.)
Maximum Speed <sup>1</sup>	Up to 10 km/h (6.25 mph)
Ground Clearance <sup>2</sup>	57 mm (2.25 in.) at motor
Turning Radius <sup>2</sup>	1334 mm (52.5 in.)
Overall Size <sup>2, 6</sup>	Length: 1194 mm (47 in.) Width: 560 mm (22 in.)
Tyres	Front and rear: 254 mm (10 in.) solid
Range <sup>1, 4</sup>	Up to 39.2 km (21 miles)
Total Weight Without Batteries <sup>2, 5</sup>	68 kg (150 lbs.)
Heaviest Piece when Disassembled	Front section: 29.5 kg (65 lbs.)
Standard Seating	Type: CRS Junior Weight: 19 kg (42 lbs.) Material: Black Vinyl Dimensions: 445 mm (17.5 in.) overall width 432 mm (17 in.) effective depth
Drive System	Rear-wheel drive, sealed transaxle, 24-volt DC motor
Dual Braking System	Regenerative and electromechanical
Battery Requirements <sup>3, 6</sup>	Two 12-volt, sealed lead-acid, non-spillable, deep-cycle Size: 31–36 Ah or optional 40 Ah Battery Weight: 11 kg (24.5 lbs.) each 32 Ah Battery Weight: 14.75 kg (32.5 lbs.) each 40 Ah
Battery Charger	Off-board
Maximum Allowable Incline	10.5% (6°)
Maximum Angle Capacity	17.6% (10°)
Maximum Obstacle Climbing Ability	50 mm (2 in.)

<sup>1</sup> Varies with user weight, terrain type, battery amp hour rating (Ah), battery charge, battery condition, motors, controller type, tire type, and tire condition. This specification is subject to a variance of +10%, -5%.

<sup>2</sup> Due to manufacturing tolerances and continued product improvement, this specification can be subject to a variance of (+ or -) 3%.

<sup>3</sup> AGM, Gel-Cell, or Hybrid Gel (Hybrid Gel is defined as Nano Silica Gel Electrolyte with High Quality Glass Mat Separators) type required. See III. "Batteries and Charging."

<sup>4</sup> Tested in accordance with ANSI/RESNA, WC Vol. 2, Section 4 & ISO 7176-4 standards. Results derived from theoretical calculations based on battery specifications and drive system performance. Test conducted at maximum weight capacity.

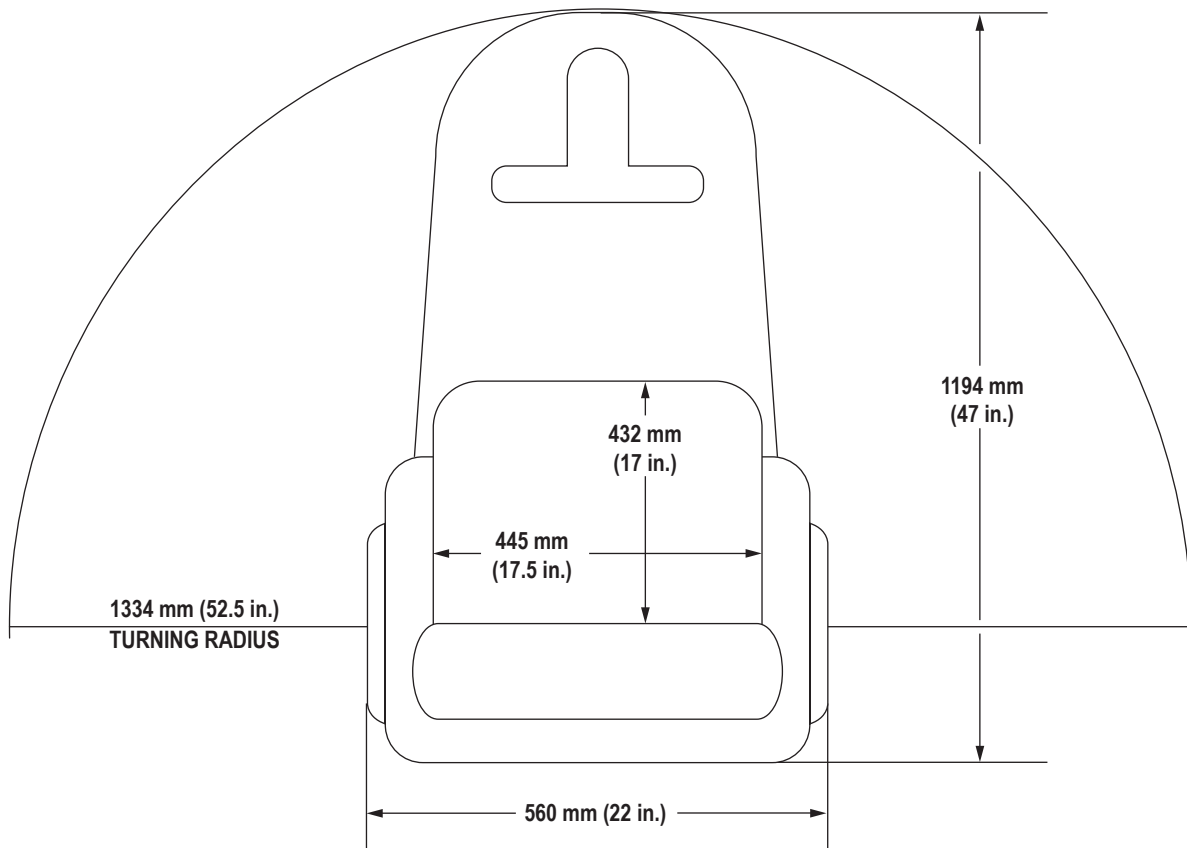
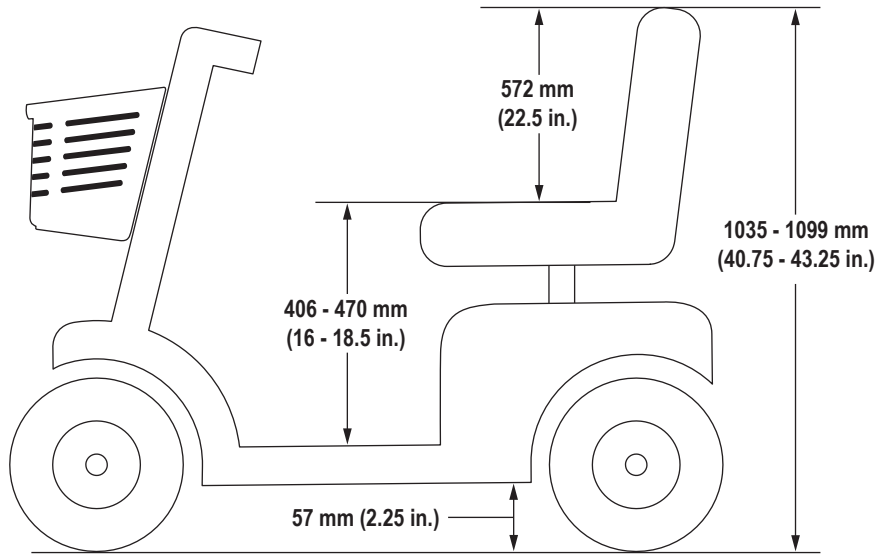
<sup>5</sup> Includes standard seat.

<sup>6</sup> Battery weight may vary based on manufacturer.

<sup>7</sup> Tested in accordance with ISO7176-22, 2000 and ISO 7176-11, 1992 standards.

**NOTE: This product conforms to all applicable ANSI/RESNA, ISO 7176 Series, AS/NZS 3695.2, and EN12184 standards. All specifications subject to change without notice.**





Colt Deluxe (SC710DX) Dimensions

