

PRODUCT SPECIFICATIONS SHEET

Model: Colt Sport (SC710DXW)

Document Information: INFINF B2694/Rev D/September 2019

| | |
|--|---|
| Model Number | SC710DXW |
| Class of Use | B |
| Weight Capacity | 159 kg; 25 stone (350 lbs.) |
| Maximum Speed ¹ | Up to 12.9 km/h (8 mph) |
| Ground Clearance ² | 57 mm (2.25 in.) at motor |
| Turning Radius ² | 1334 mm (52.5 in.) |
| Overall Size ^{2, 6} | Length: 1194 mm (47 in.) Width: 657 mm (26 in.) |
| Tyres | Front and rear: 254 mm (10 in.) solid |
| Range ^{1, 4} | Up to 26.8 km (16.7 miles) |
| Total Weight Without Batteries ^{2, 5} | 68 kg (150 lbs.) |
| Heaviest Piece when Disassembled | Front Section: 29.5 kg (65 lbs.) |
| Standard Seating | Type: CRS Junior Weight: 19 kg (42 lbs.) Material: Black Vinyl Dimensions: 445 mm (17.5 in.) overall width 432 mm (17 in.) effective depth |
| Drive System | Rear-wheel drive, sealed transaxle, 24-volt DC motor |
| Dual Braking System | Regenerative and electromechanical |
| Battery Requirements ^{3, 6} | Two 12-volt, sealed lead-acid, non-spillable, deep-cycle Size: 40 Ah Battery Weight: 11 kg (24.5 lbs.) each 50 Ah Battery Weight: 16.5 kg (36.5 lbs.) each |
| Battery Charger | Off-board |
| Maximum Allowable Incline | 10.5% (6°) |
| Maximum Angle Capacity | 17.6% (10°) |
| Maximum Obstacle Climbing Ability | 50 mm (2 in.) |

¹ Varies with user weight, terrain type, battery amp hour rating (Ah), battery charge, battery condition, motors, controller type, tire type, and tire condition. This specification is subject to a variance of +10%, -5%.

² Due to manufacturing tolerances and continued product improvement, this specification can be subject to a variance of (+ or -) 3%.

³ AGM, Gel-Cell, or Hybrid Gel (Hybrid Gel is defined as Nano Silica Gel Electrolyte with High Quality Glass Mat Separators) type required. See III. "Batteries and Charging."

⁴ Tested in accordance with ANSI/RESNA, WC Vol. 2, Section 4 & ISO 7176-4 standards. Results derived from theoretical calculations based on battery specifications and drive system performance. Test conducted at maximum weight capacity.

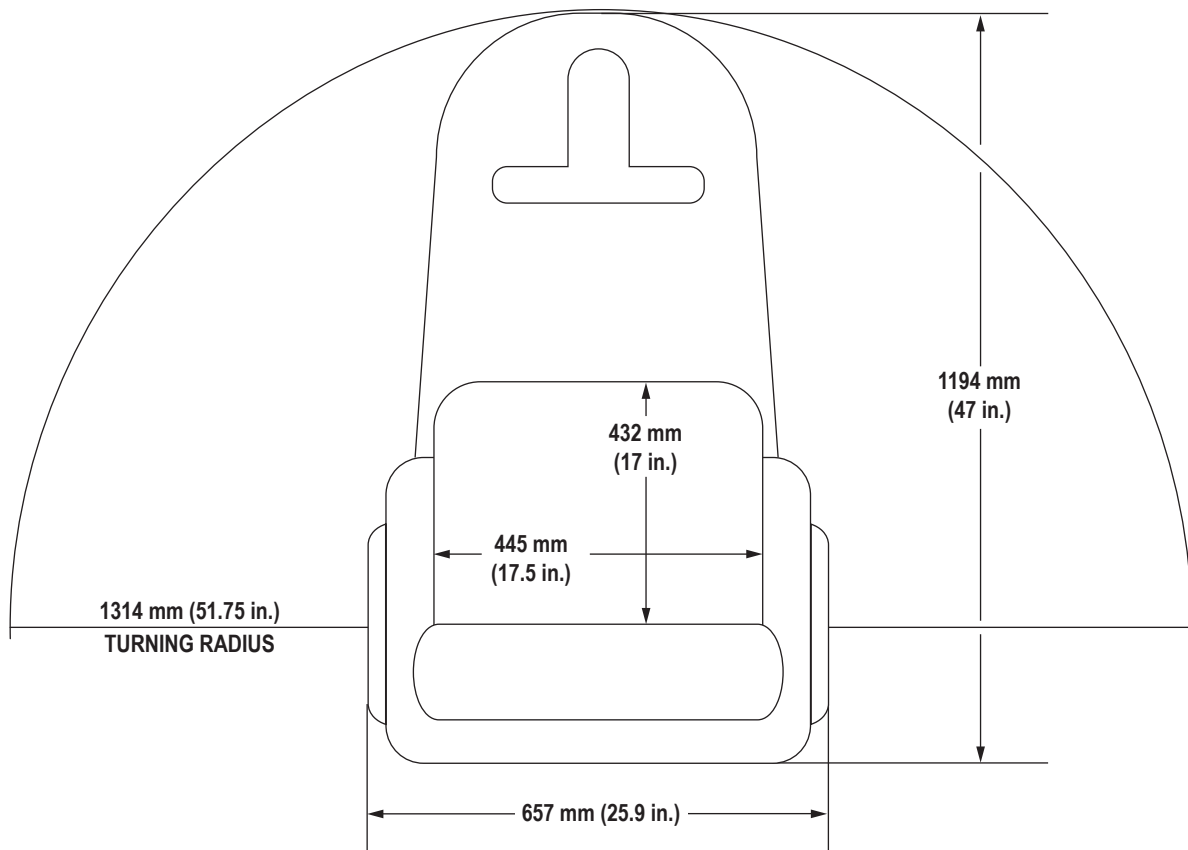
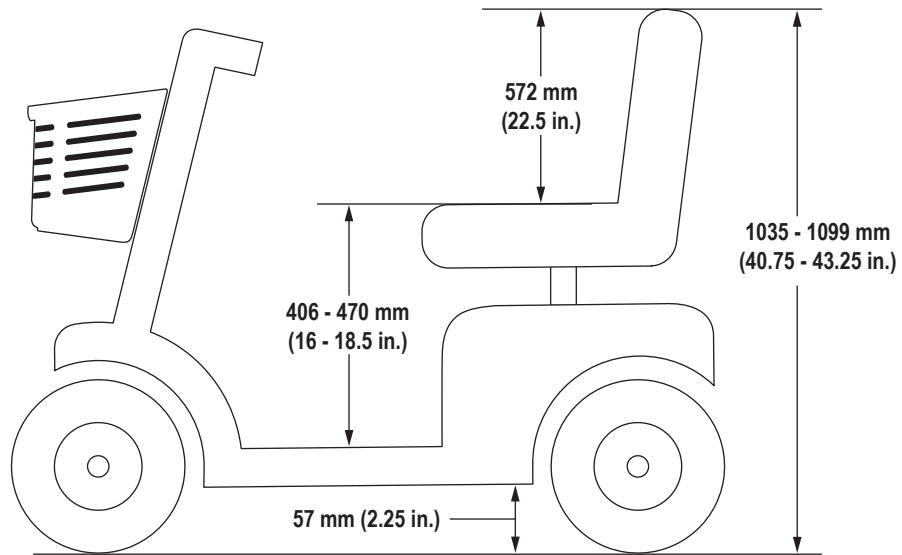
⁵ Includes standard seat.

⁶ Battery weight may vary based on manufacturer.

⁷ Tested in accordance with ISO7176-22, 2000 and ISO 7176-11, 1992 standards.

NOTE: This product conforms to all applicable ANSI/RESNA, ISO 7176 Series, AS/NZS 3695.2, and EN12184 standards. All specifications subject to change without notice.





Colt Sport (SC710DXW) Dimensions

